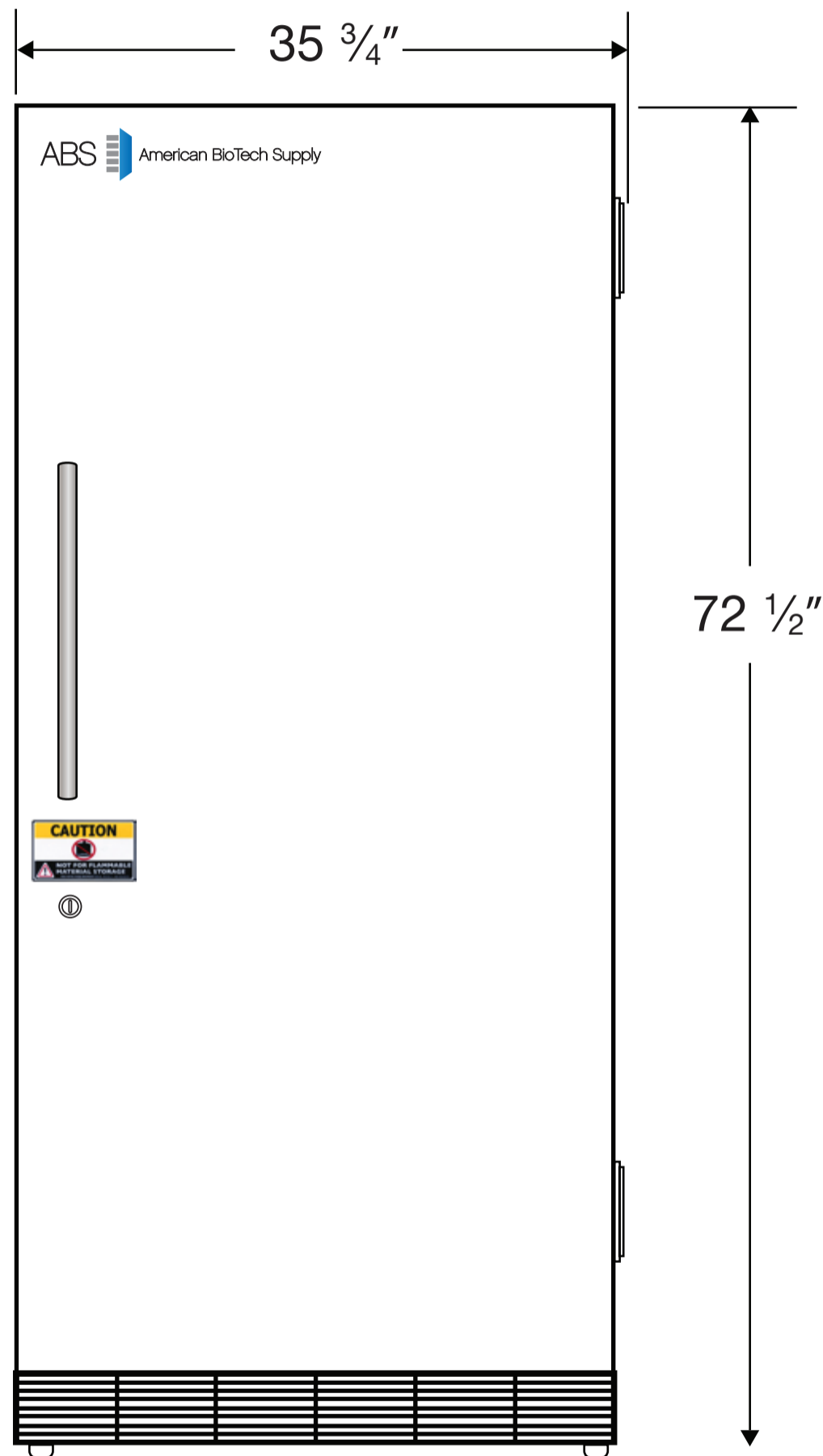
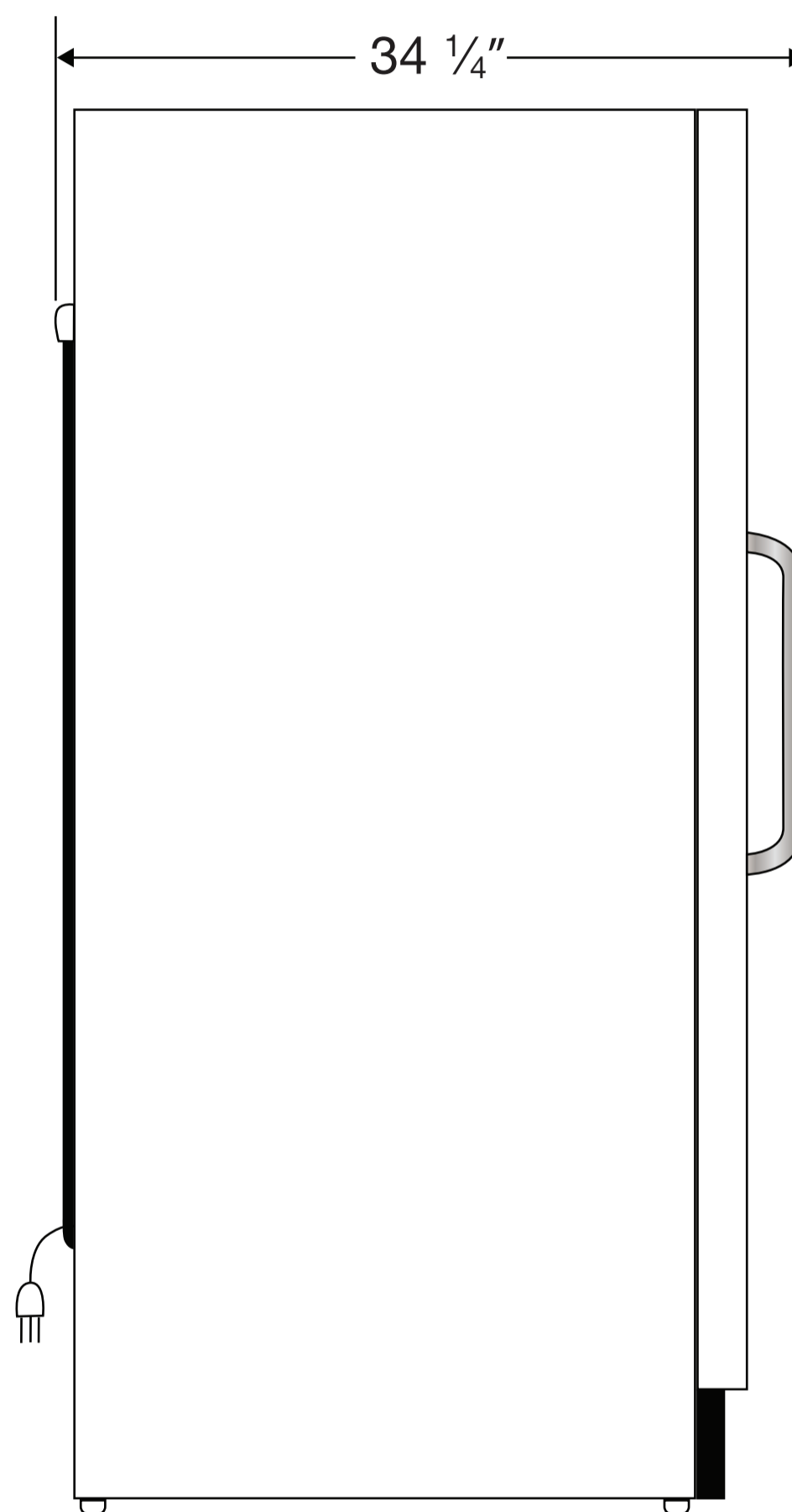


**Exterior  
ABT-30R**

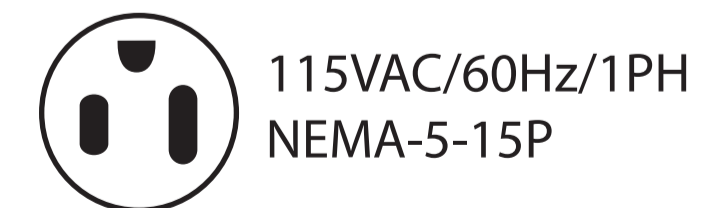
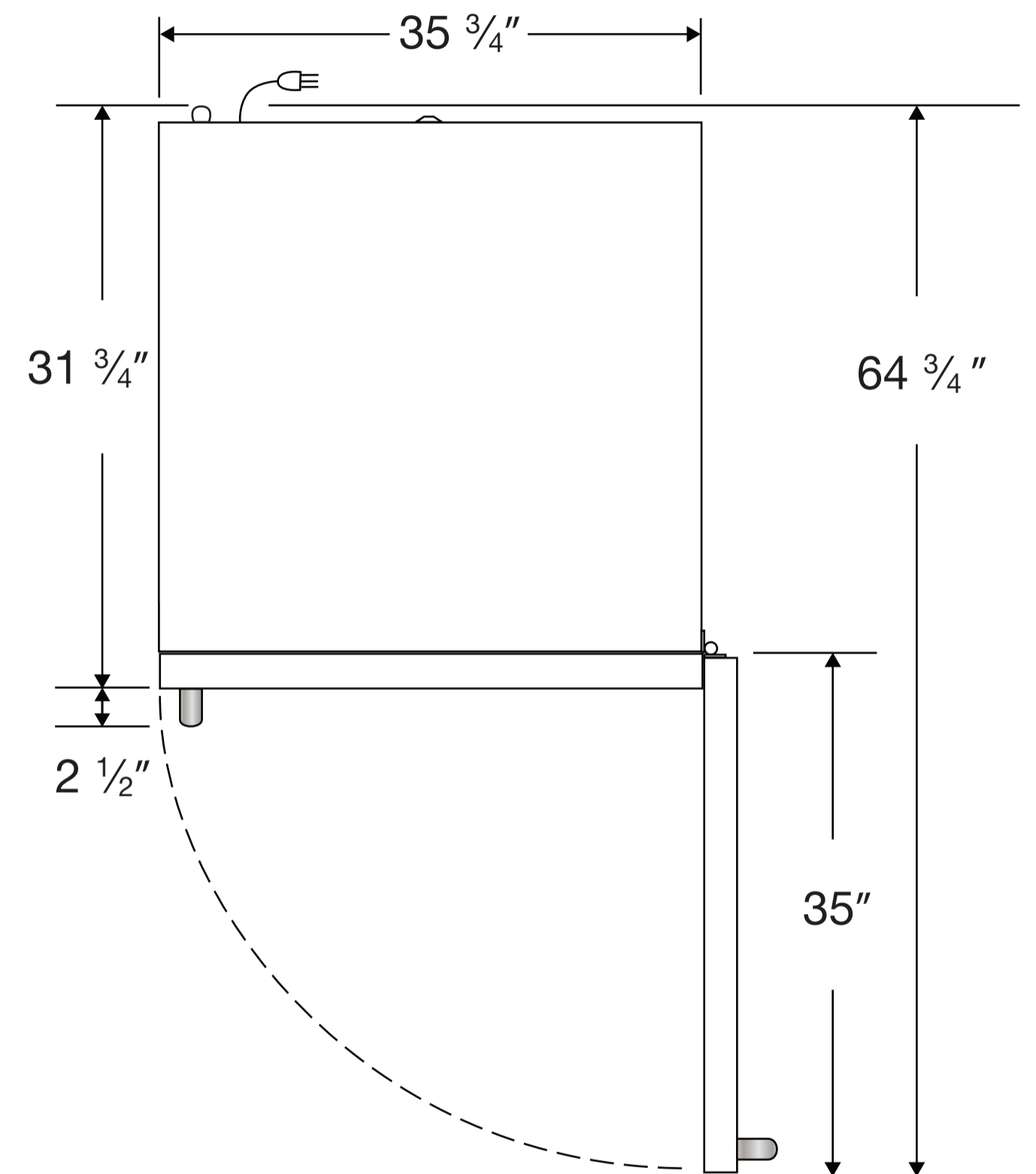
**Front View**



**Side View**



**Top View**



Cu. Ft	Defrost	Door	Int Door	Shelves	W"	D"	H"	Refrigerant	H.P.	Amps	Weight
30	Cycle	1 Solid	0	5 Adj	35 3/4	34 1/4	72 1/2	R404a	1/3	6.8	340 lbs.